

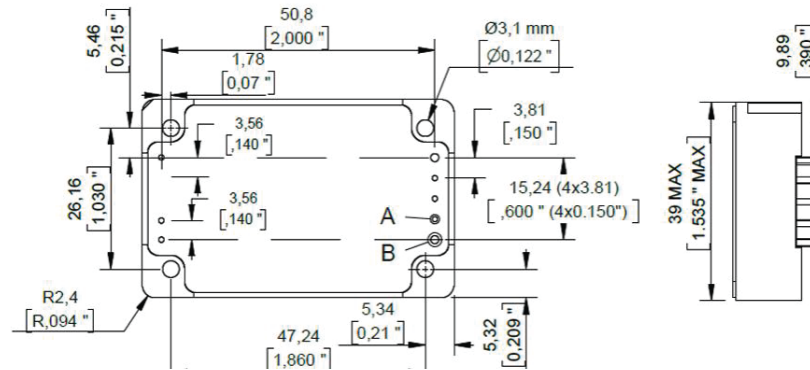
# 250W Isolated DC-DC Military Power Module

DC-DC converter modules designed with high efficiency technology to the Military/Aerospace industry. Flexible design according to requirements. Standard dimensions and interfaces. High power density modules with internal protection features. Small size for special applications.



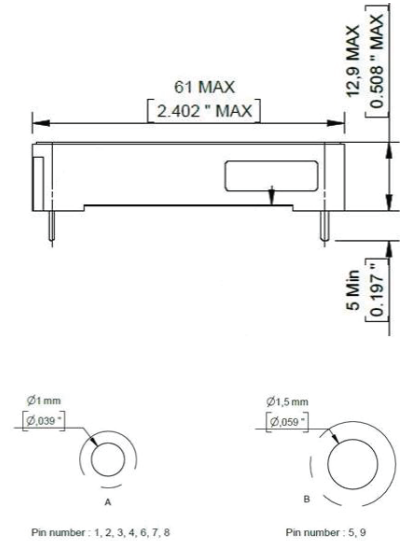
## Specifications

DESCRIPTION	UNIT	VALUE
Input Voltage	VDC	9-36
Output Voltage	VDC	12; 15; 24; 28
Output Current (continuous)	A	20.8; 16.7; 10.5; 8.93
Output Wattage (continuous)	W	250
Efficiency (Full Load)	%	89
Max. Output Wattage	W	250
Series Operation	-	Yes
Parallel Operation	-	Yes
Power On Signal (Enable)	-	High
Remote On/Off	-	Yes
Overtemperature Protection	-	Yes
Overvoltage Protection	-	Yes
Overcurrent Protection	-	Yes
Mil-Std-461F	-	Yes
Mil-Std-810G	-	Yes
Mil-Std-704F	-	Yes
Operating Baseplate Temperature	°C	-55 to +100°C
Storage Temperature	°C	-55 to +125°C
Cooling	-	Conduction
Weight	g	85
Size (LxWxH)	mm	61 x 39 x 12.9



## Features

- Input Voltage: 9-36 VDC
- Output Voltage: 12; 15; 24; 28 VDC
- Output Power: 250 Watt
- Efficiency: %89
- Dimensions: 61 x 39 x 12.9 mm
- Power Density: 135 W/in<sup>3</sup>
- Input/Output Isolation: 2kV
- Series, Parallel
- Qualification Tests: MIL-STD-461F, MIL-STD-810G, MIL-STD-704F



www.anova.com.tr - info@anova.com.tr +90 312 210 12 45

ODTÜ MET Yerleşkesi Mustafa Kemal Mahallesi Dumlupınar Blv. Bina No: 280 B Blok No: 16 Çankaya/ANKARA/TURKEY